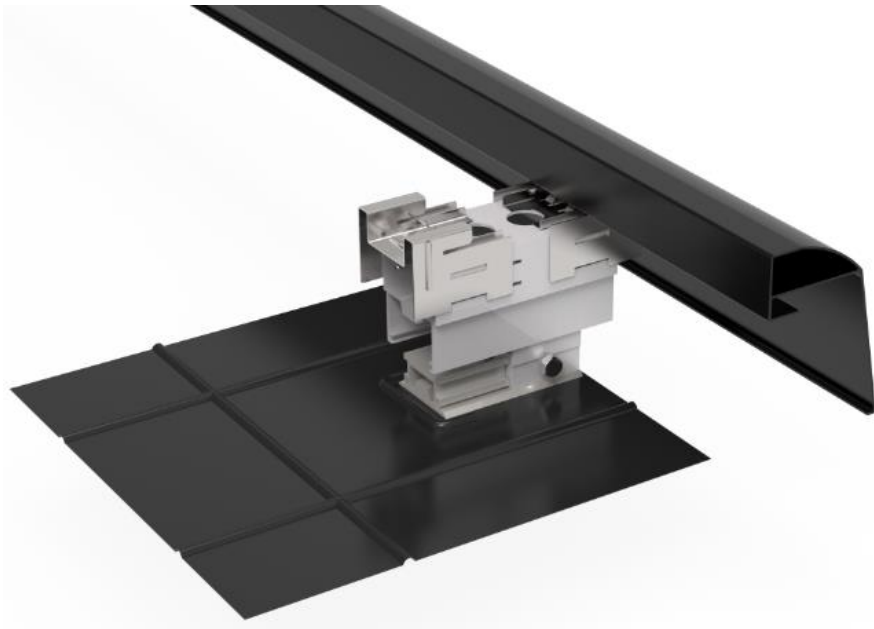


AR10-2



PERFECT SOLUTION • EASY INSTALLATION

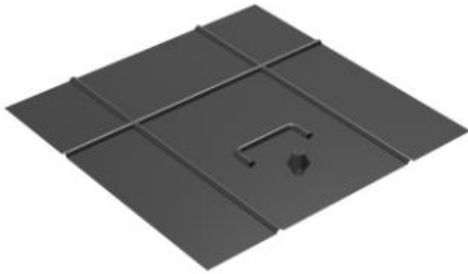
Clamp-Free & Rail-Free Rack for Composition Shingle Roof

AR10-2 is designed for composition shingle roof. No clamp and no rail design lower the cost and improve 50% of the work efficiency. It is universal because it fits for all types of aluminum framed modules. Separated attachment kit makes it possible to replace any module without moving other modules. Below are the main features:

- ❖ Fewer components=Quick to install
- ❖ No clamp, no rail design improves 50% work efficiency and lowers the cost.
- ❖ Universal. It fits for all types of aluminum framed modules.
- ❖ 80% pre-assembly parts.
- ❖ Standard package which is easy for delivery and distribution.

Details

A

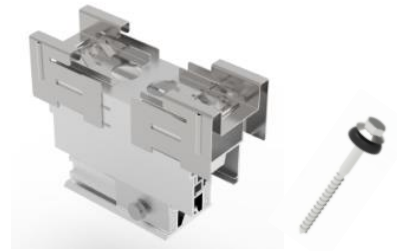


Flashing plate

Material: aluminum

Size: 305x305x0.5mm

B

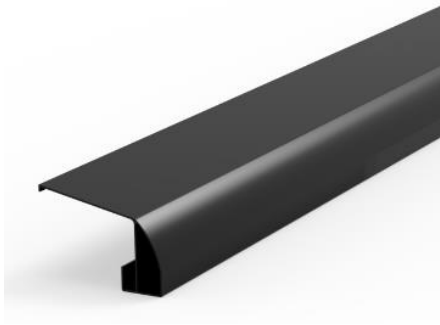


Module holder&Screw

Material:Aluminum,SS304,EPDM

Size: 150x150x100

C



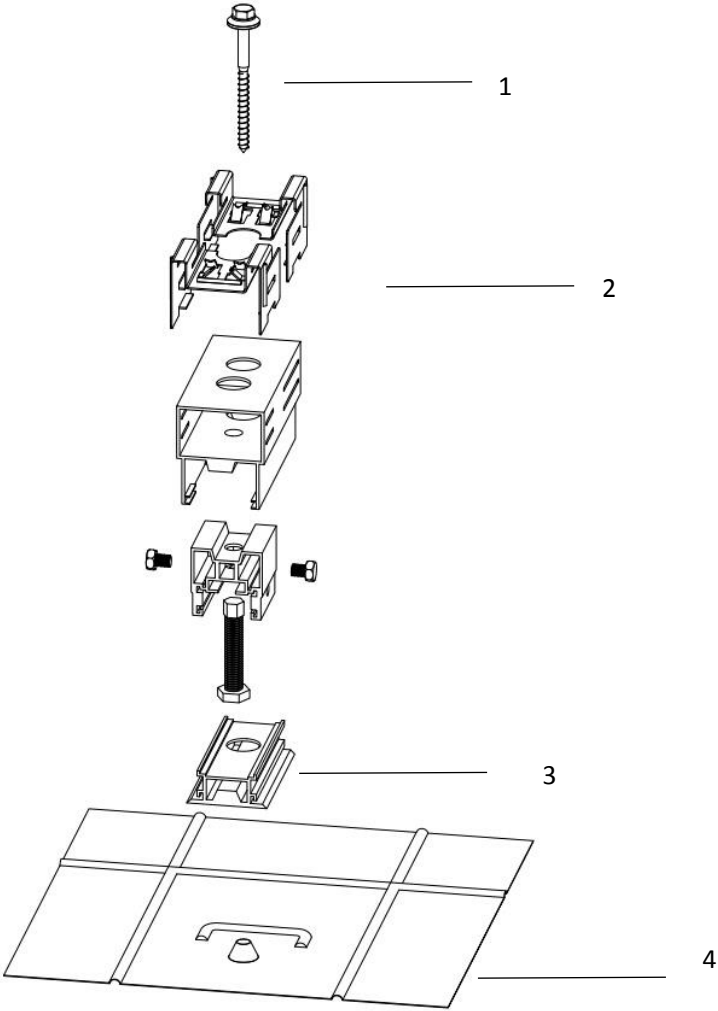
Optional skirt

Material: Aluminum

Technical Data

<i>Application</i>	<i>Pitched asphalt shingle roof</i>
<i>Material</i>	<i>SS 304, Aluminum</i>
<i>Module type</i>	<i>Framed</i>
<i>Module orientation</i>	<i>Landscape, portrait</i>
<i>Wind load</i>	<i>134mph</i>
<i>Snow load</i>	<i>1.2KN/m²</i>
<i>Warranty</i>	<i>15 years</i>
<i>Standards</i>	<i>ASCE 7-05, ASCE 7-10</i>
	<i>UL 2703 under processing</i>
	<i>ANSI/ AISC 360-05</i>
	<i>IBC 2009, IBC 2012</i>

Assembly Parts



- 1. Hex head screw with EPDM rubber, $\phi 7.93 \times 100\text{mm}$ x1
- 2. Top assembly part x1
- 3. Base part x1
- 4. Flashing plate, $305 \times 305 \times 0.5\text{mm}$ x1



ATLANTIC CLEAN ENERGY SUPPLY LLC

18 Culnen Drive, Branchburg, NJ 08876 USA

888-900-1581 sales@atlanticces.com

www.atlanticces.com