



## V2H/V2G Charger 10kW / 208/240Vac

Delta's V2X Charger (Vehicle-to-Home & Vehicle-to-Grid) is a bi-directional charging system that converts energy between EV battery and AC supply, along with power backup and energy management features. It supports both smart charging function to the EV and energy storage function such as peak shaving, load shifting, PV self-consumption, and power backup via upper level EMS.

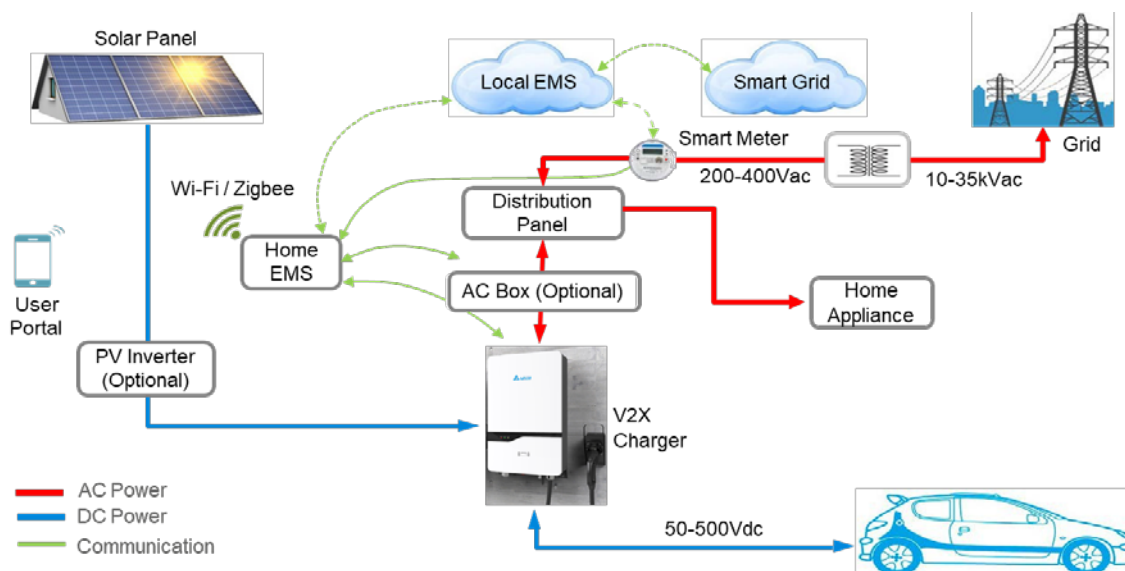
Delta's V2X Charger can be coupled with existing PV system via AC-link or DC-link architecture for different user scenario and make the most out of the PV system with high efficient power conversion from PV to load and PV to EV battery. With Delta's V2X Charger, you can fully enjoy the green life with renewable energy, electrical vehicle, and all the advanced features of energy storage system to save your electricity bill and make good contribution to the environment.

### Applications

- Smart EV charging management
- Virtual power plant (VPP)
- Emergency power backup



## System Architecture



## Key Features

- Upgradability with 10kW PV adapter for PV connection and 97% efficiency from PV to EV
- DC charging with constant current, voltage and power output characteristics
- Real-time and remote monitoring and upgrade through network communication
- Low acoustic noise design and built-in safety feature with international standard
- Small footprint, compact and modularized design for easy installation and maintenance

## Technical Specifications

Charging Mode			Discharging Mode		
AC Side	Grid Connection Type	1P3W	DC Side	Rated Input Voltage	150 to 500Vdc
	Rated Input Voltage	208/240Vac		Max. Input Current	33.3A @ 300V
DC Side	Max. Output Power	10kW	AC Side	Rated Input Power	10kW
	Output Voltage Range	50 to 500Vdc		Rated Output Voltage Range	208/240Vac±15%
AC to DC	Max. Output Current	33.3A @ 300V	DC to AC	Max. Current	45.5A @ 220Vac
	Peak Efficiency	96%		Peak Efficiency	96%
Environmental			Mechanical		
Operating Temperature	-30°C to +50°C		Charging Interface	CHAdeMO	
Cooling Method	Air Forced		Cable Length	4m straight cable	
Relative Humidity	0 to 95%, non-condensing		Enclosure Rating	IP55 for outdoor wall-mounted	
Operating Altitude	0 to 3000m		Net Weight	40kg	
			Dimension (WxHxD)	500 x 790 x 200 mm	
General					
User Interface	LED indicator (Alarm, Charge, Discharge), RFID authentication				
Network Connectivity	Ethernet (ECHONET LITE, OCPP 1.6), 4G/Wi-Fi/Bluetooth (Optional)				

### Delta Electronics (Americas), Ltd.

46101 Fremont Blvd, Fremont, CA 94538, U.S.A.

Sales: 877-440-5851 Support: 877-442-4732

E-mail: energy.storage@deltaww.com

www.delta-americas.com

LF\_V2X\_10kW\_V0.1\_US

