

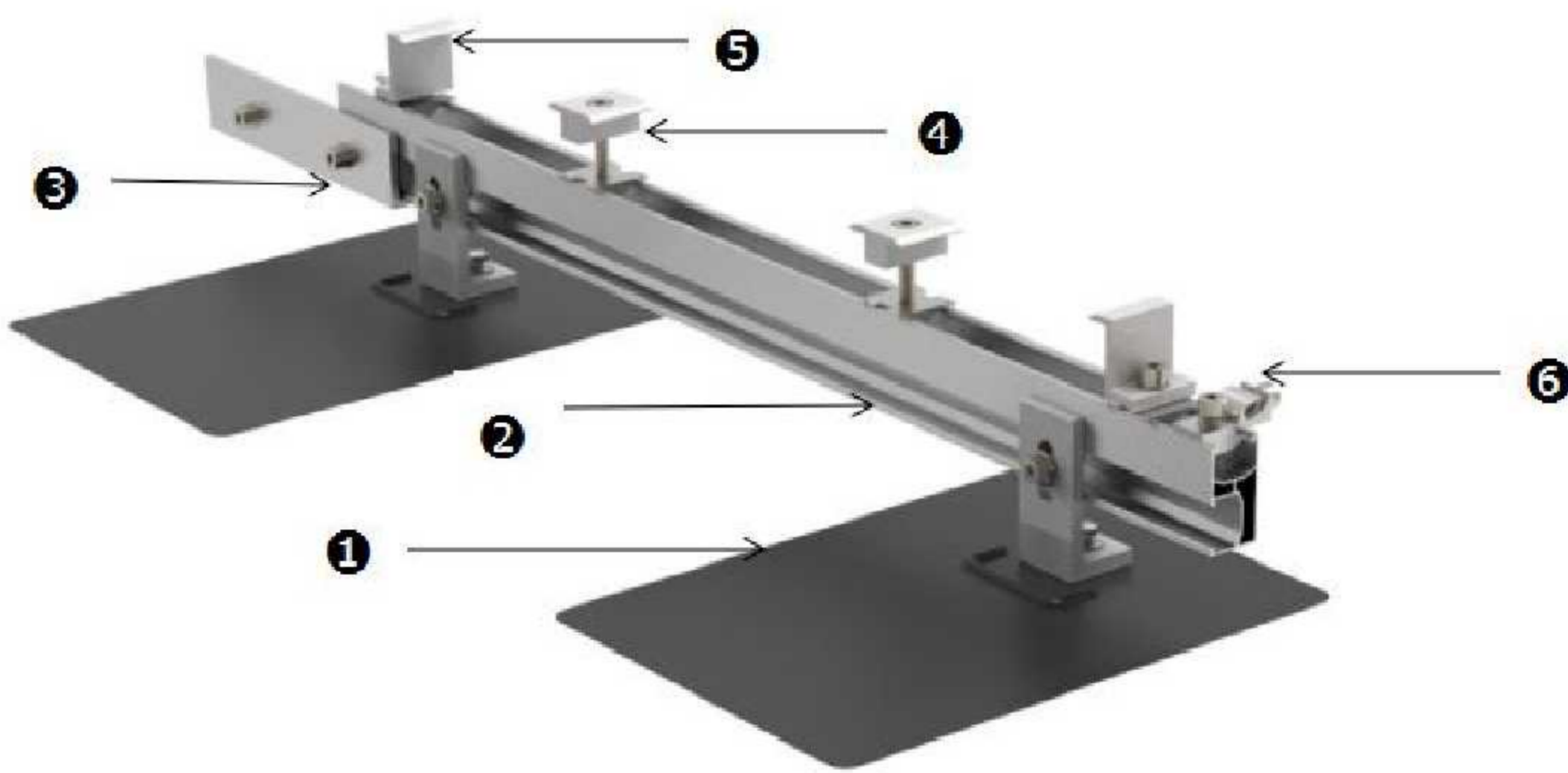
Asphalt shingle Roof Racking system

AR10-12

Introduction & Advantages

AR10-12 is a traditional roof mounting system designed for composition shingle roof. The main components including the Flashing plate, L foot, rail, rail connector, panel clamps and the grounding lug. Main material Aluminum and Galvalume ensured a good performance at corrosion.

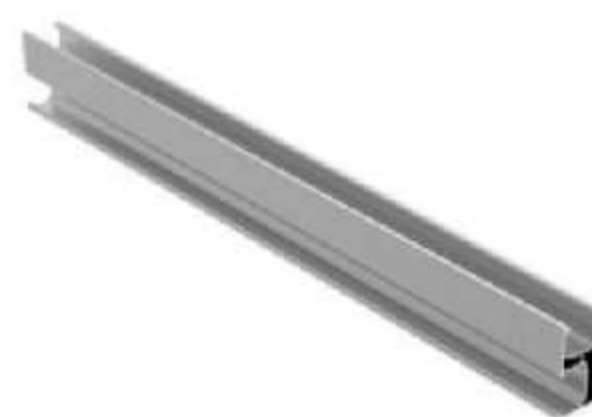
- ❖ The material are Aluminum and Galvalume
- ❖ Suit for all module types
- ❖ Passed the ETL certificate
- ❖ Signed by the US registered professional engineer



Component list:



① Flashing Plate & L foot



② Rail



③ Rail splice



④ Mid clamp



⑤ End clamp



⑥ Ground lug