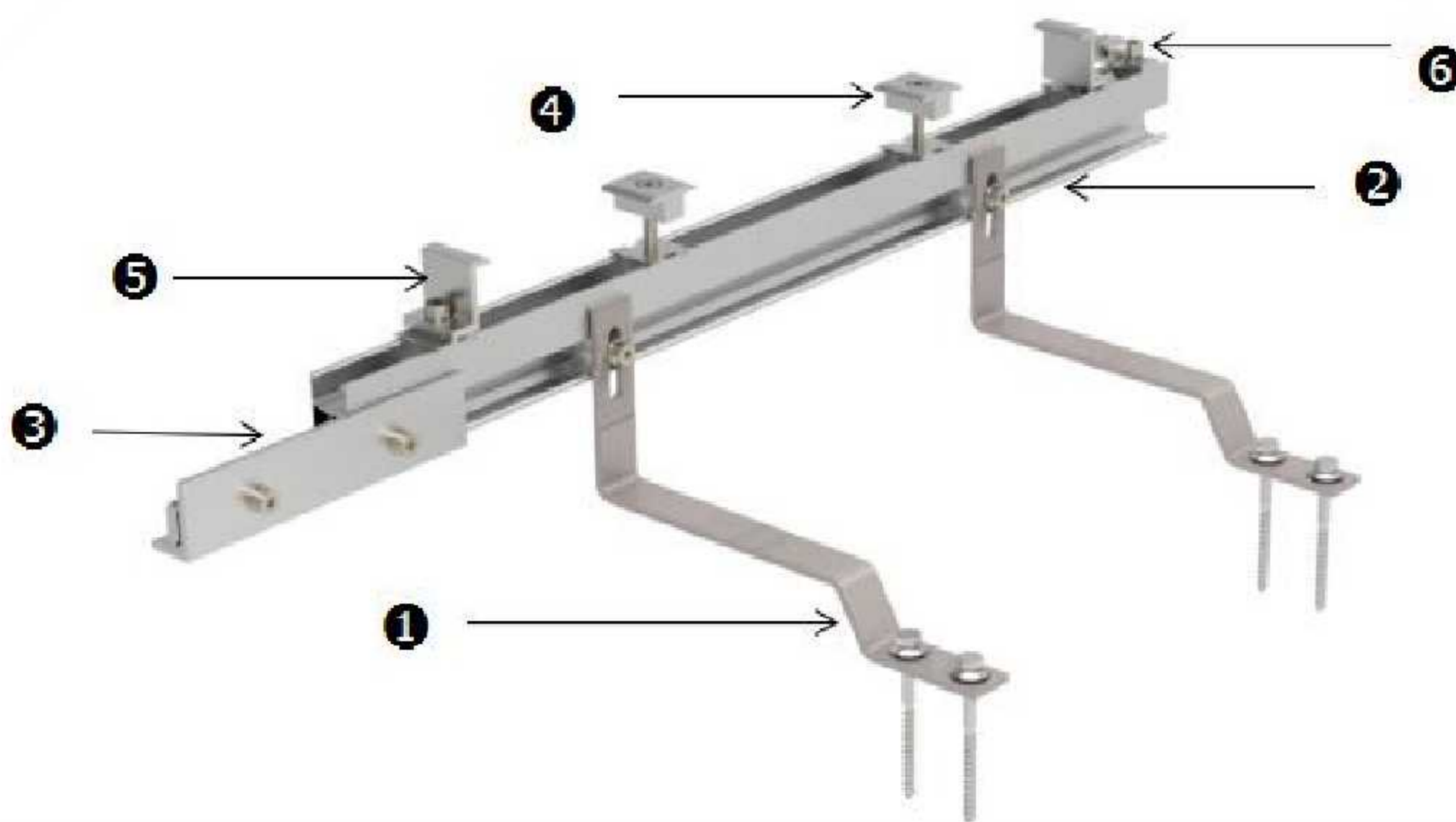


Tile Roof Racking system TR08-1

Introduction & Advantages

TR08-1 is a racking system designed for pitched tile roof. Including mainly components tile roof hook, Rail, rail connector, Panel clamps and Ground lug. According to different demand, customers can also add the flashing plate or Tile replacement to Double waterproof protection.

- ❖ The material are Aluminum and 304SS
- ❖ Suit for all module types
- ❖ Passed ETL certificate
- ❖ Signed by the US registered professional engineer



Component list:



1 Tile hook & Screw



2 Rail



3 Rail splice



4 Mid clamp



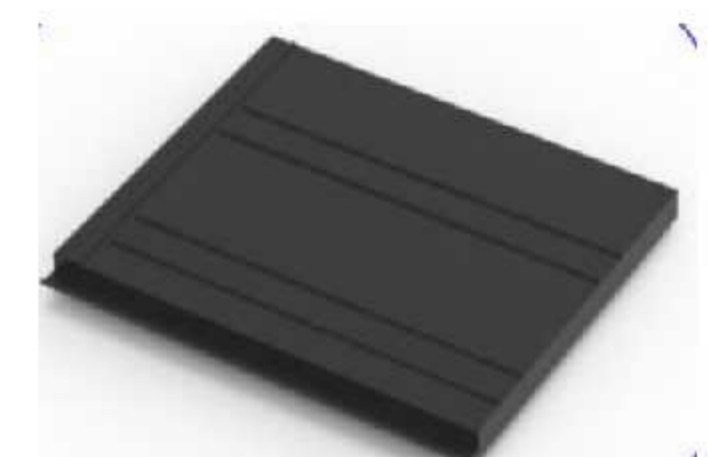
5 End clamp



6 ground lug



7 Flashing plate



8 Flat tile replacement