

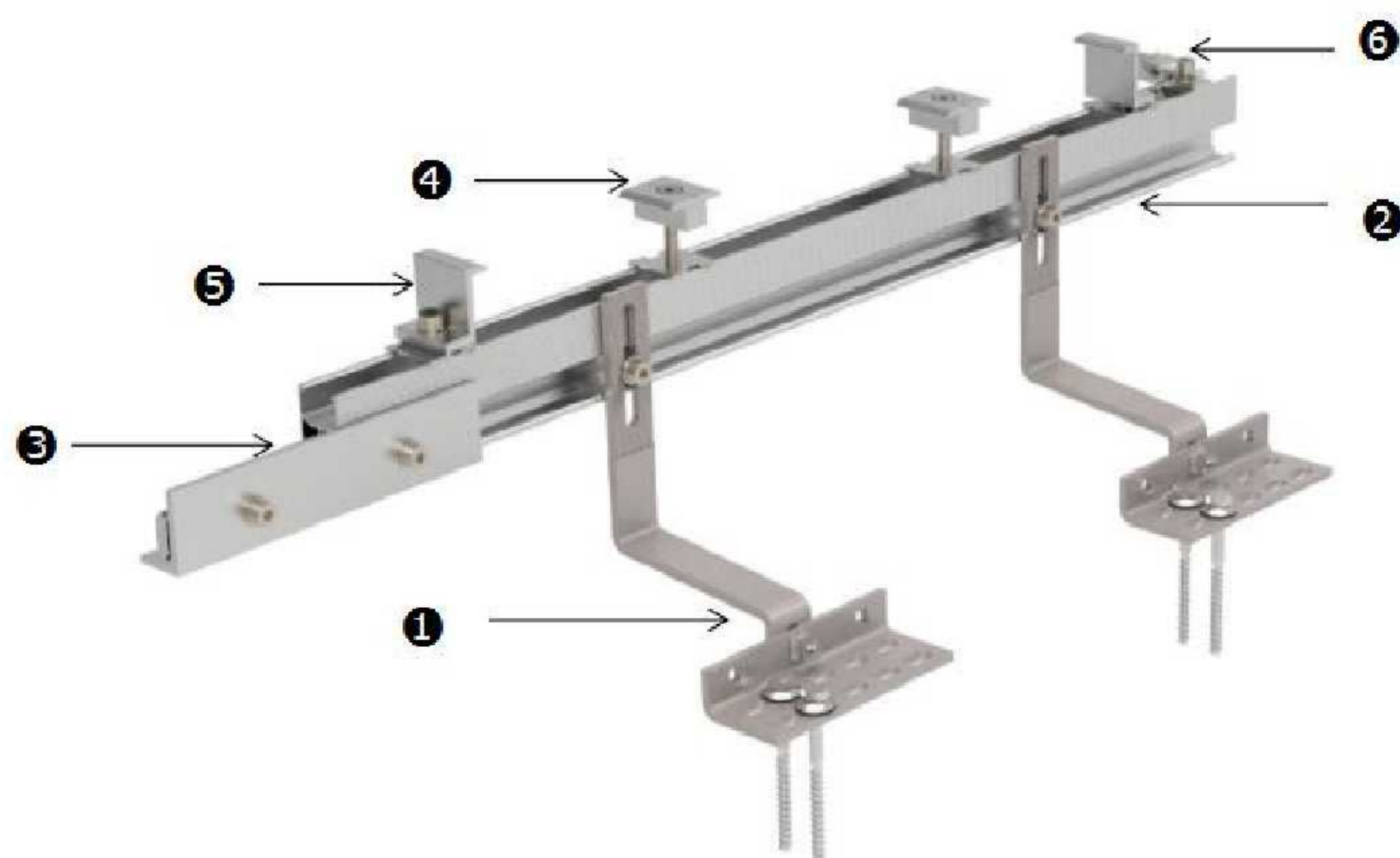
## S Tile Roof Racking system

TR08-3

### Introduction & Advantages

S tile roof racking system TR08-3 is very common used system for tile roof. With the adjustable tile hook, it can be used for many rooftop with different roof conditions. The extra flashing plate and tile replacement, can help a better water proof.

- ❖ The material are Aluminum and 304SS
- ❖ Suit for all module types
- ❖ Passed ETL certificate
- ❖ Signed by the US registered professional engineer



### Component list:



1 Tile hook & Screw



2 Rail



3 Rail splice



4 Mid clamp



5 End clamp



6 ground lug



7 Flashing plate



8 S tile replacement