



W Tile Roof Racking system

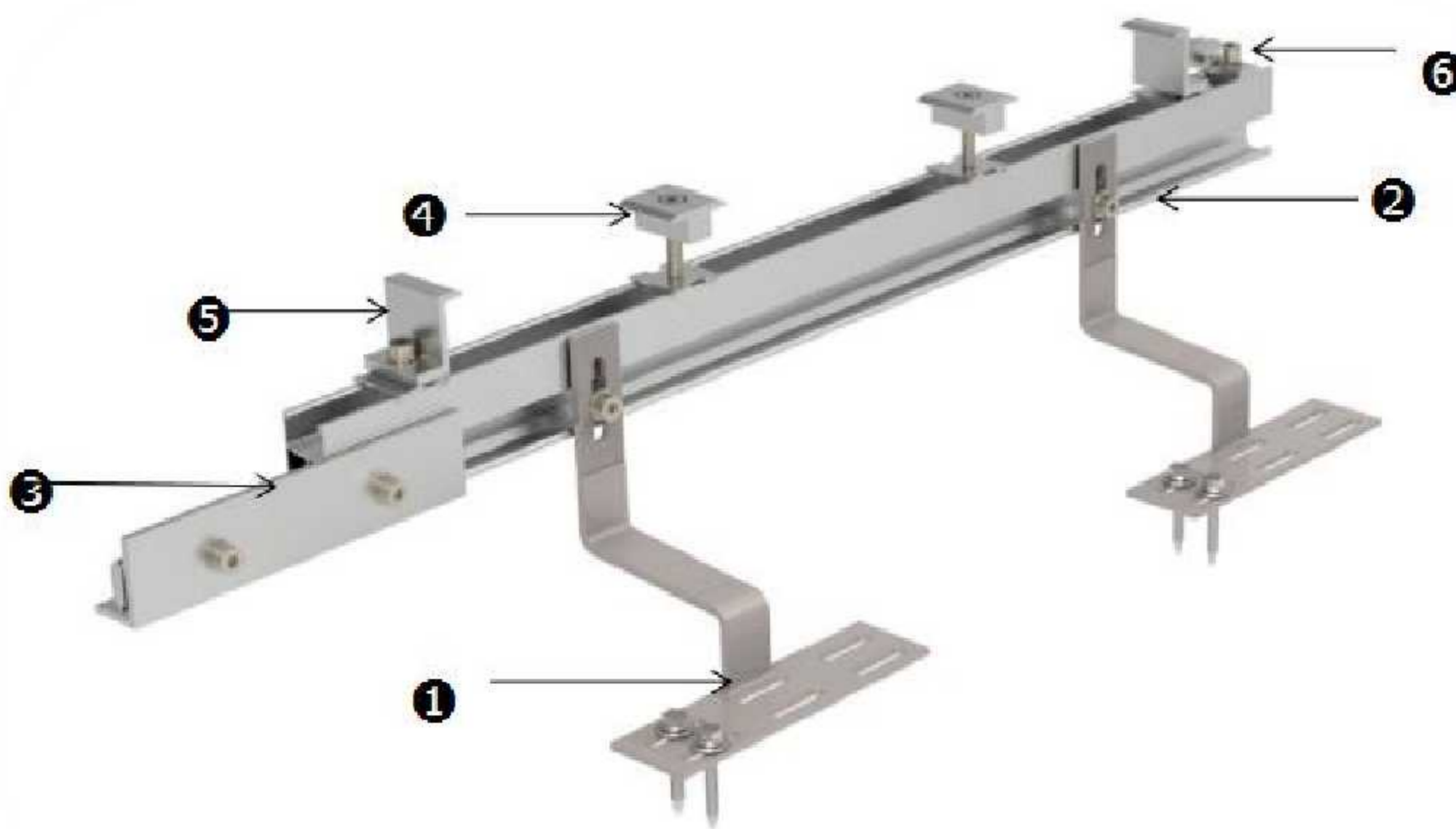
TR08-2

Introduction & Advantages

TR08-2 is a racking system designed for W tile roof.

The mainly components of this tile roof racking system including Rail, rail connector, roof hook, Panel clamps and Ground lug. For better water proof, we also provide flashing plate and tile replacement for customers.

- ❖ The material are Aluminum and 304SS
- ❖ Suit for all module types
- ❖ Passed ETL certificate
- ❖ Signed by the US registered professional engineer



Component list:



1 Tile hook & Screw



2 Rail



3 Rail splice



4 Mid clamp



5 End clamp



6 ground lug



7 Flashing plate



8 W tile replacement